



553

Skid-Steer

Loader



One Tough Animal™

Specifications

Performance

Rated Operating Capacity¹
Tipping Load
Hydraulic Pump Capacity
Travel Speed
Operating Weight

553

950 lb. (431 kg)
1905 lb. (864 kg)
11 gpm (41,6 L/min.)
6.4 mph (10,3 km/hr.)
3,704 lb. (1680 kg)

Dimensions

Length (with bucket)
Width (with bucket)
Height
Height to Bucket Pin

107.3 in. (2725 mm)
49.4 in. (1255 mm)
72.5 in. (1842 mm)
103.7 in. (2634 mm)

Engine

Model
Fuel/Cooling
Cylinders
SAE NET HP/Displacement
Fuel Tank Capacity

D1105-B
Diesel/Liquid
3
25/68.5 cu. in. (1,1 L)
10 gal. (38 L)

Operation

Steering and Drive

Forward, reverse, travel speed and steering controlled by two hand levers.
Raise/lower lift arms and dump/rollback bucket controlled by two foot pedals.
Hydrostatic, four-wheel drive.

Hydraulics

Transmission

Standard Features

Adjustable Cushion Seat
Bobcat Interlock Control System (BICS™)
Bob-Tach™
Tires: 27 x 8.50-15
Front & Rear Lights
Front Auxiliary Hydraulics
Lift Arm Support

Meters/Gauges/
Warning Lights
Operator Cab
Parking Brake
Rear Window
Rocker Switch Activated Glow Plugs
Seat Bar
Seat Belt
Spark Arresting System

Options/Accessories

Attachment Control Kit
Backup Alarm
Bobcat Heavy Duty Tires
Cab Enclosure w/Heater
Catalytic Purifier
Deluxe Cab
Flasher/Strobe Lights
Flotation Tire (6 PR) 27 x 10.5-15
Horn
Hydraulic Bucket Positioning²
Keyless Start Kit

Large Operator Seat Bar Kit
Rental Kit
Service Safety Training Course
Skid-Steer Loader Operator Training Kit
Sound Cab (Reduces noise at operator's ear)
Special Applications Kit³
Suspension Seat
Top Window

LOTS OF SKID-STEER MUSCLE IN A SMALLER PACKAGE!

Got to get the work done, but don't have much space to maneuver? Give the Bobcat® 553 skid-steer loader a try!

The 553 delivers 950 pounds of lift capacity, yet easily fits through narrow openings. It weighs only 3,704 pounds for easy trailering.

With a travel speed up to 6.4 mph, you'll get your longer-run jobs done faster. And this peppy 553 loader is also better balanced for greater work efficiency.

It features proven safety technology — the Bobcat Interlock Control System (BICS™). BICS requires the operator to be seated in the loader with the seat bar in place and the engine running. After the "press to operate loader" button is pushed, the hydraulic lift/tilt functions and traction-drive system can be operated.

Plus, with the 553 you get more than an exceptional skid-steer loader — you get unmatched support from a worldwide network of Bobcat dealers offering industry-leading attachments, accessories and parts availability. Their factory-trained service technicians are equipped to handle all your parts and service requirements, including engine and hydrostatic/hydraulic components. There's also an excellent warranty program.

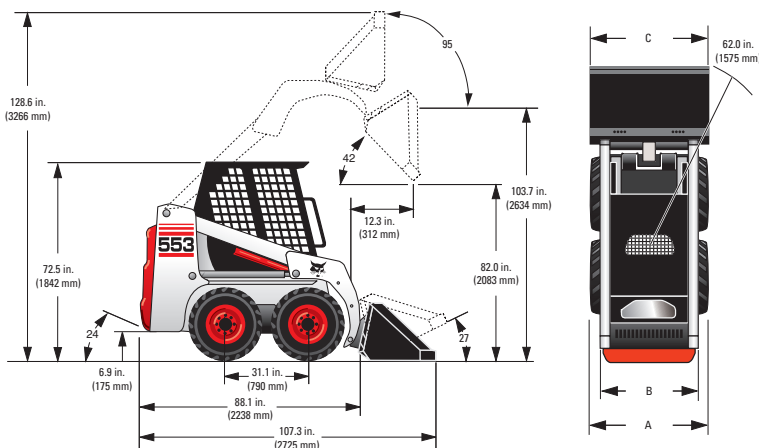
See your Bobcat dealer for details.

The Bobcat 553 — it's the agile, reliable loader that can improve your tight-fit job efficiency!

950 LB.
Rated Operating Capacity

103.7 IN.
Lift Height

25 HP
Liquid-Cooled Diesel Engine



NOTE - Where applicable, dimensions are in accordance with Society of Automotive Engineers (SAE) and ISO standards. Specifications and design are subject to change without notice. Pictures of Bobcat skid-steer loaders may show other than standard equipment. All dimensions are shown in inches. Respective metric dimensions are enclosed by parentheses. Bobcat Company complies with the requirements of ISO 9001 as registered with BSI.

¹Operating capacity rated with standard digging bucket according to SAE standard J818 — OPERATING CAPACITY TO EQUAL NO MORE THAN ONE HALF THE TIPPING LOAD.

²Bucket positioning helps operator keep the same tilt of the load during lifting.

³Includes polycarbonate front door, top and rear windows.

⁴Special application kit (see #3) must be used.

- A. 27 x 8.50 - 15 Tires - 47.0" (1194 mm)
- B. 27 x 8.50 - 15 Tires - 38.2" (970 mm)
- C. 48 in. Bucket Width - 49.4" (1255 mm)



B-1694

Bobcat Company
P.O. Box 6000 • West Fargo, ND 58078
www.bobcat.com

Printed in U.S.A.



Kn-10M-306-#3421-F

Bobcat Attachments for this model:

- Angle Broom*
- Auger
- Backhoe
- Bale Fork
- Breaker⁴, Hydraulic
- Buckets
- Digger
- Dumping Hopper
- Front Scarifier
- Grapple, Farm (for use with utility fork or bucket)
- Landplane
- Packer Wheel
- Pallet Fork
- Scraper
- Snow Blade
- Snowblower*
- Snow V-Blade*
- Soil Conditioner*
- Stump Grinder*
- Sweeper
- Three-Point Hitch
- Tiller
- Tracks
- Trencher
- Utility Fork

* Attachment Control Kit required.